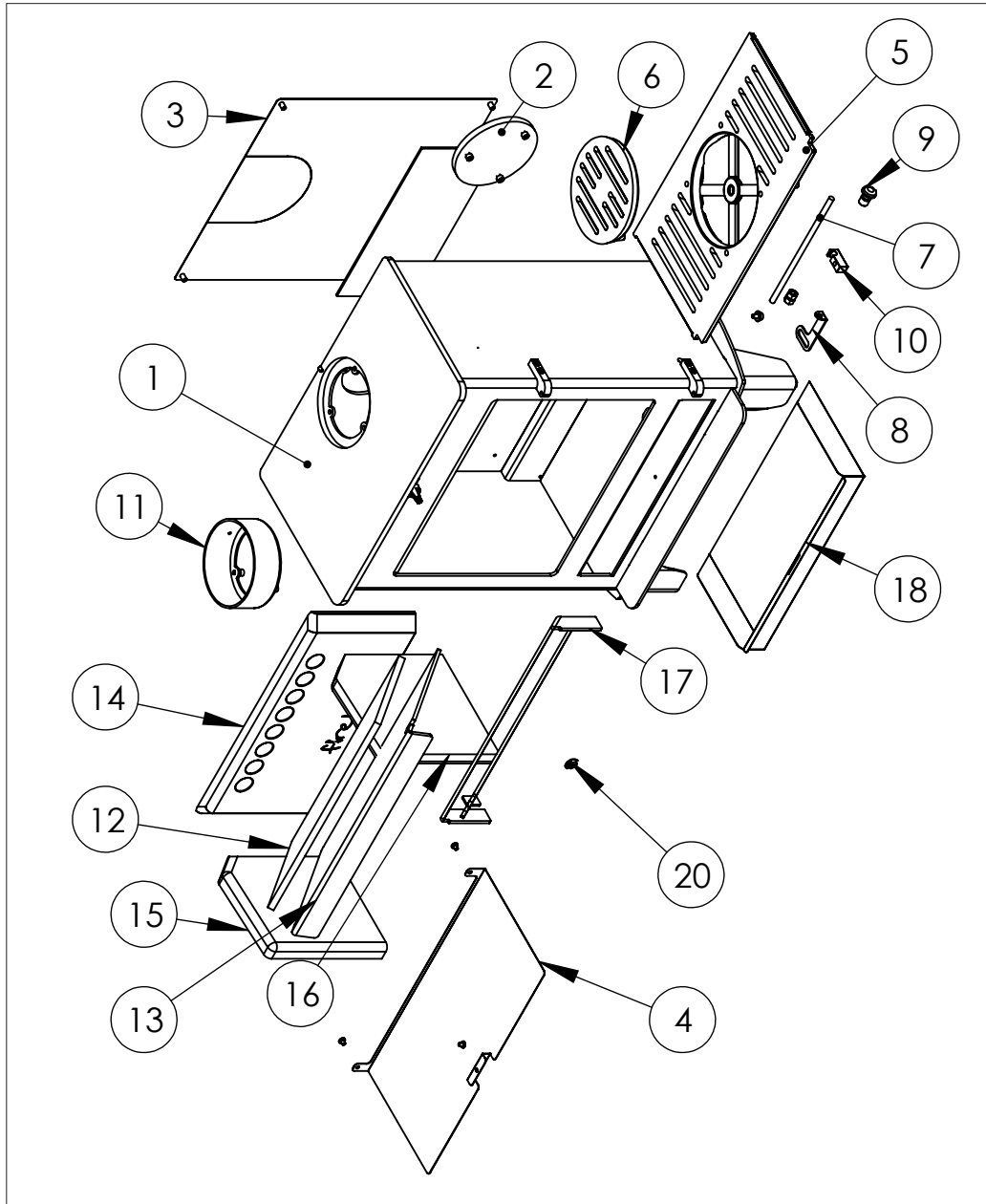


VULCAN STOVE PARTS LIST (Eco Design 2022 model)



No.	Description	Part No.	Qty.
1	Body Assembly		1
2	Blanking Plate	7106	1
3	Rear Heatshield	8168	1
4	Bottom Heatshield	8172	1
5	Main Grate	8178	1
6	Centre Grate	PSP-0068	1
7	Riddle Rod	8166	1
8	Grate Link	8179	1
9	Large Riddle Knob	PSP-0033 Needs To Be Painted lack	1
10	Riddle Rod Support		1
11	Spigot with test point Assy	7130	1
12	baffle Insulation Board	8177	1
13	Baffle plate	8175	1
14	Rear Ceramic	8162	1
15	Side Ceramic	RH:8153	1
16	Side Ceramic	LH:8152	1
17	Fuel Retainer Assy	8164	1
18	Ashpan Tray	8176	1
19	Door hinge	7769	2
20	DEFRA Air Limiter	8159	1